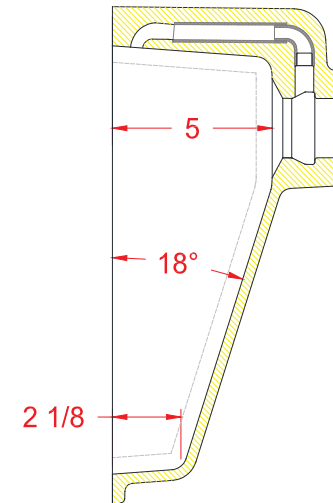
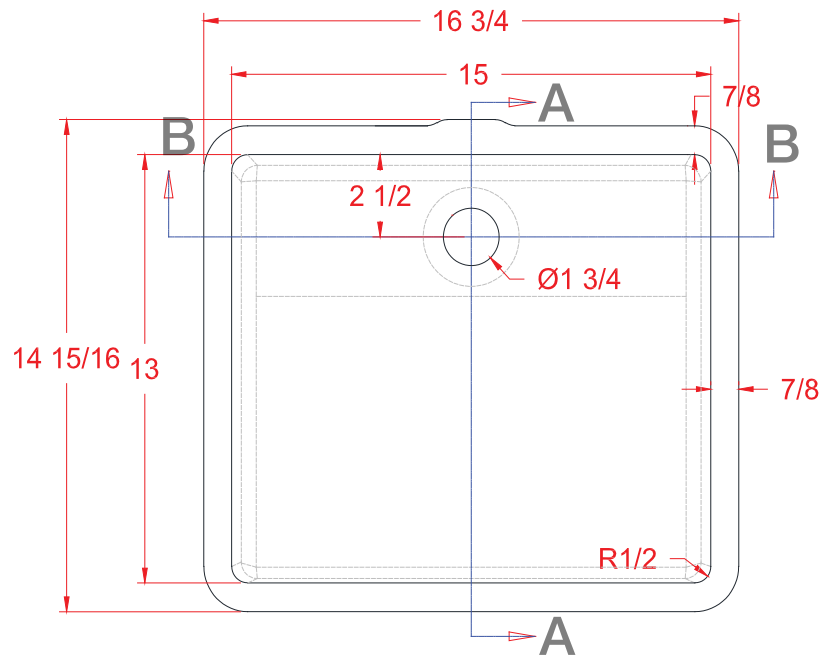
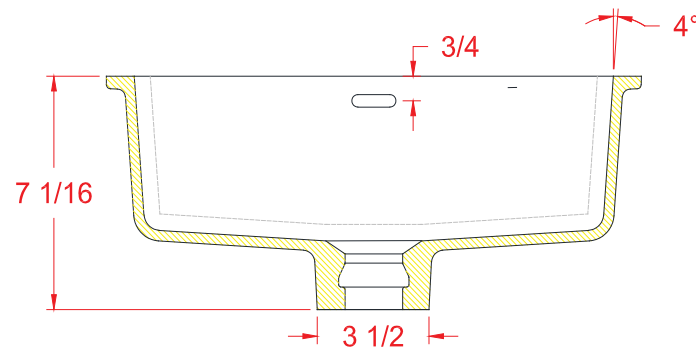




VANITY BOWL 1513



SECTION A-A



SECTION B-B



Everform™

SOLID SURFACE *by* FORMICA GROUP

Formica® is a sublicensed trademark to Formica Corporation. Formica and the Formica Anvil logo are registered trademarks of The Diller Corporation. 1-800-FORMICA™ and Everform™ are trademarks of The Diller Corporation. The products and manufacturing processes of Formica Corporation are protected under U.S. and foreign patents. All brands are registered trademarks of the respective owners. For warranty information, please visit www.formica.com or call 1-800-FORMICA™ (1-800-367-6422). By downloading this file, you agree that the end user is responsible for verification of the cutout with the actual sink. Formica Corporation bears no responsibility or liability for the final cutout and the use of the file(s).